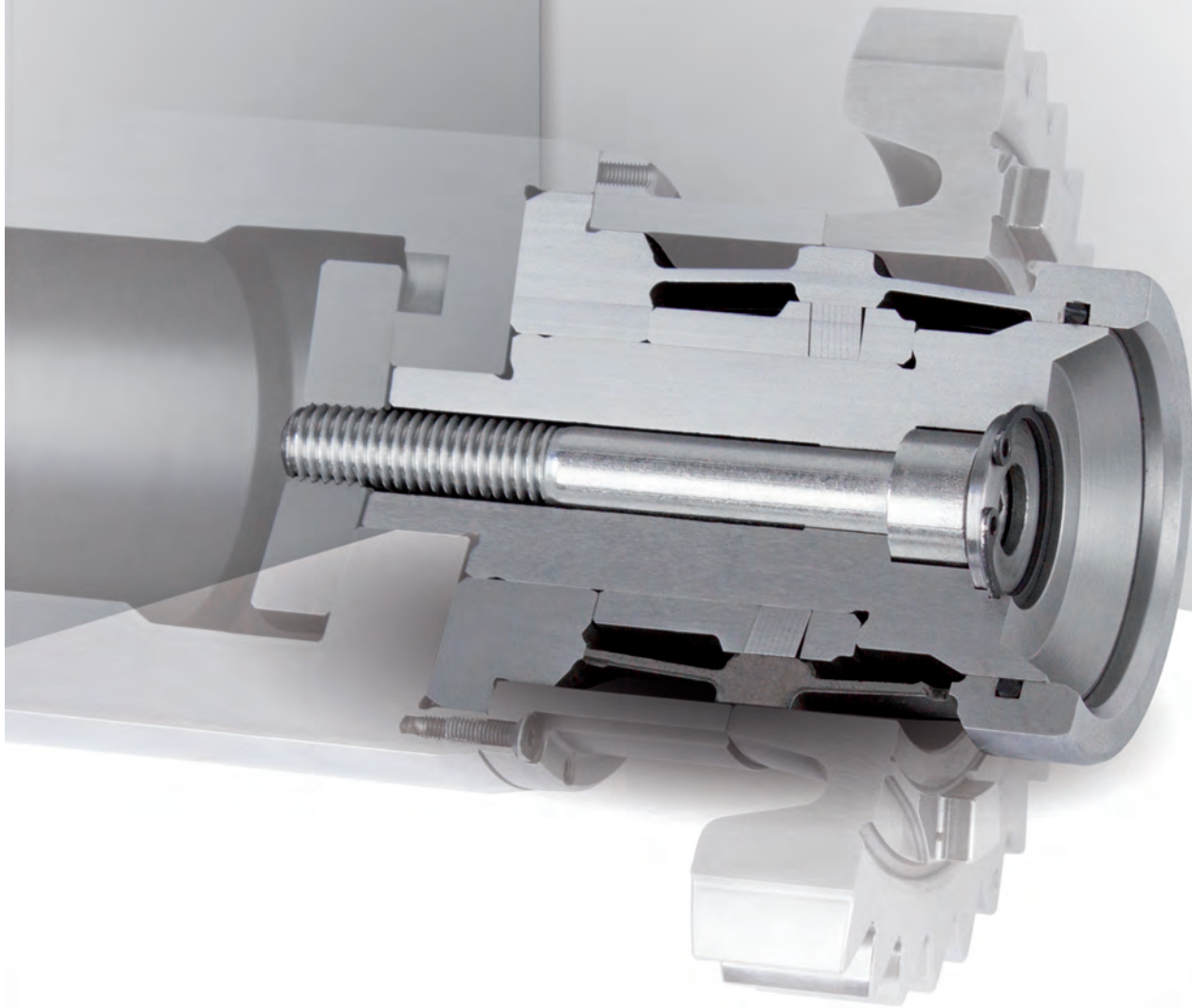


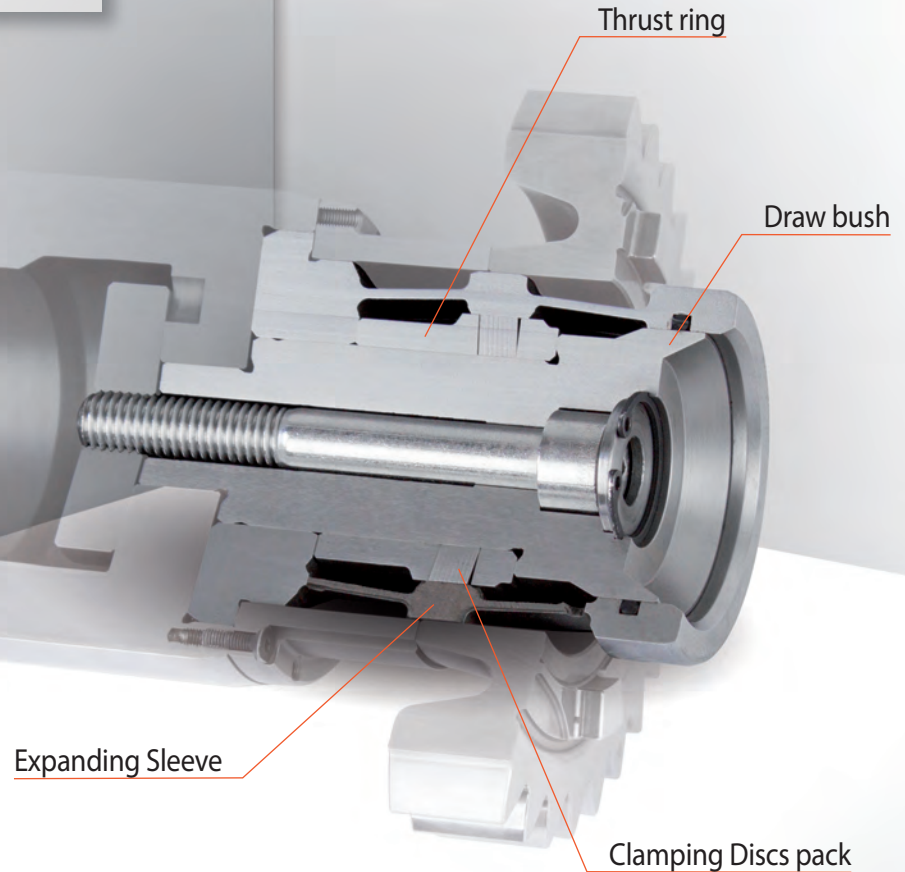
RINGSPANN®
EDMAYR
ANTRIEBSTECHNIK

Expanding Sleeve Mandrel HDDS



Expanding Sleeve Mandrel HDDS

True running accuracy < 5 μm
Repeat accuracy < 2 μm
Backstop action



Your benefit

- >> 4 time higher expanding rate compare to hydraulic expanding technology
- >> High precise component orientation
- >> Very short clamping length
 - >> Clamping on interrupted clamping surfaces
 - >> For power and hand-actuating

Edmayr Antriebstechnik GmbH
Thalham 20, 4880 St. Georgen im Attergau
Tel.: +43 7667 6840 Fax: +43 7667 20070
office@edmayr.at www.edmayr.at