

Installation and Operating Instruction for Complete Freewheels FB and FBF

E 08.606e



Contact:

Edmayr Antriebstechnik GmbH

Thalham 20, 4880 St. Georgen/Attg.

T: +43 7667 6840 F: +43 7667 20070

office@edmayr.at

www.edmayr.at



EDMAYR
ANTRIEBSTECHNIK

EDMAYR ANTRIEBSTECHNIK	Installation and Operating Instruction for Complete Freewheels FB and FBF	E 08.606e			
Stand: 24.11.2010	Version : 12	gez.: Su	gepr.: Ei	Seitenzahl: 12	Seite: 2

Important

Please read these instructions carefully before installing and operating the product. Your particular attention is drawn to the notes on safety.

These installation and operating instructions are valid on condition that the product meets the selection criteria for its proper use. Selection and design of the product is not the subject of these installation and operating instructions.

Disregarding or misinterpreting these installation and operating instructions invalidates any product liability or warranty; the same applies if the product is taken apart or changed.

These installation and operating instructions should be kept in a safe place and should accompany the product if it is passed on to others – either on its own or as part of a machine – to make it accessible to the user.

Safety Notice

- Installation and operation of this product should only be carried out by skilled personnel.
- Repairs may only be carried out by the manufacturer or accredited agents.
- If a malfunction is indicated, the product or the machine into which it is installed, should be stopped immediately and either we or an accredited agent should be informed.
- Switch off the power supply before commencing work on electrical components.
- Rotating machine elements must be protected by the purchaser to prevent accidental contact.
- Supplies abroad are subject to the safety laws prevailing in those countries.

1. General introduction

Complete Freewheels FB and FBF are machine elements with particular characteristics:

- In one direction of rotation there is no contact between the inner and outer ring; the freewheel is in freewheeling operation.
- In the other direction of rotation there is contact between the inner and outer ring; in this direction it is possible to transmit high torque.

Complete Freewheels FB and FBF are used as:

- Backstops
- Overrunning Clutches
- Indexing Freewheels



Caution!

As freewheels can be used as safety components, it is important to observe these installation and operating instructions carefully.

2. Applications of Freewheels

2.1 Application as Backstop

Freewheels are used as backstops if reverse rotation of the operating direction is to be prevented. In many machines and installations, for technical safety or functional reasons, it is necessary to ensure that you are working in just one specified direction of rotation. This is why there are legal stipulations requiring a mechanical safety device for the operation of, e.g. conveyor systems.

The normal operating mode of a backstop is freewheeling operation; the locking (torque transmission) is performed at zero speed. The immediate engagement of the clamping elements ensures the required high operating safety.

2.2 Application as Overrunning Clutch

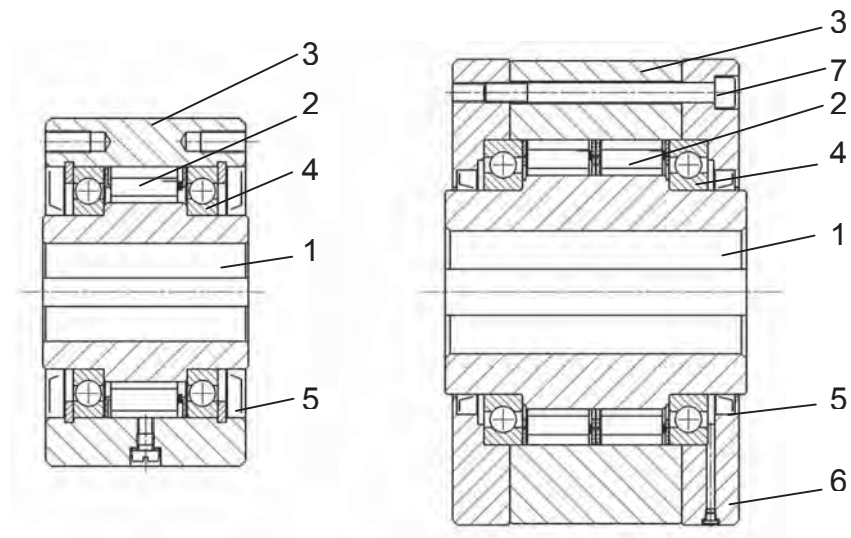
The overrunning clutch engages machines or machine parts and automatically interrupts their contact as soon as the driven part of the overrunning clutch is turned faster than the driving part. In many cases, this can replace a more expensive externally actuated clutch.

With overrunning clutches the engagement take place in the driving operation (torque transmission), while in freewheeling operation the torque transmission between the inner and outer ring is interrupted. In driving operation the speeds of the inner and outer ring are equal, while in freewheeling operation they are different.

2.3 Application as Indexing Freewheel

The indexing freewheel transmits a back-and-forth motion into a stepped rotation (indexed feed). The indexing freewheel works precisely and quietly and enables an infinitely adjustable setting of the feed.

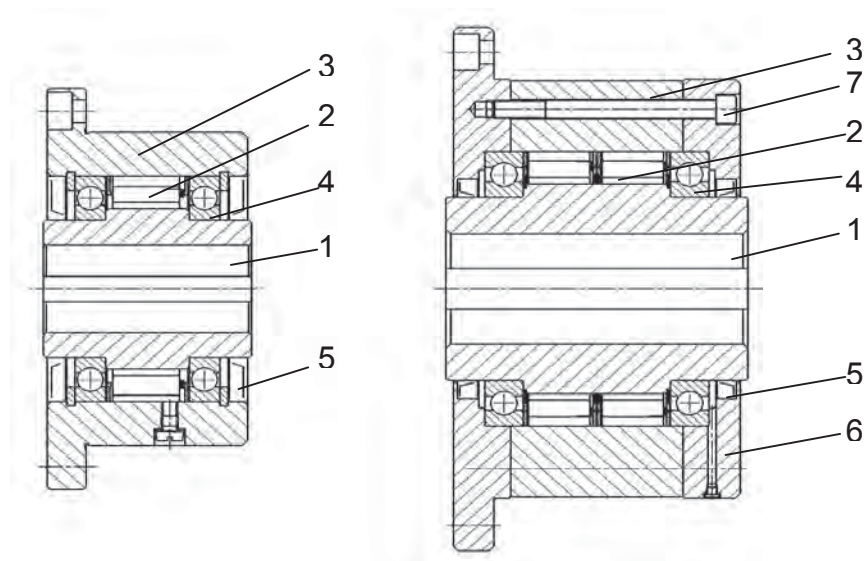
3. Design



Size FB 24 to FB 270

Size FB 340 to FB 440

Fig. [1]



Size FBF 24 to FBF 270

Size FBF 340 to FBF 440

Fig. [2]

Complete Freewheels FB and FBF are designed as shown in Fig. [1] (FB) or Fig. [2] (FBF). The essential functional components are the inner ring (1), the sprags (2), the outer ring (3), the bearings (4), the seals (5), the cover (6), the screws (7) and the lubricant.

4. Types

Complete Freewheels FB and FBF are available in 5 different types.

4.1 Standard type

This type is designed for universal use.

It is identified by the suffix "F" at the end of the product designation.

Example: FB 57 ... F

4.2 Type with RIDUVIT®

This type is designed for extended service life using sprag coating

It is identified by the suffix "T" at the end of the product designation.

Example: FB 57 ...T

4.3 Type with P-grinding

This type is designed for extended service life and indexing accuracy when used as indexing freewheel.

It is identified by the suffix "P" at the end of the product designation.

Example: FB 57 ... P

4.4 Type with sprag lift-off Z

This type is designed for extended service life using sprag lift-off at high speed rotating outer ring.

It is identified by the suffix "Z" at the end of the product designation.

Example: FB 57 ... Z

4.5 Type with sprag lift-off X

This type is designed for extended service life using sprag lift-off at high speed rotating inner ring.

It is identified by the suffix "X" at the end of the product designation.

Example: FB 57 ... X



Please note!

Further information especially on design, function and selection, permissible torques or permissible speeds of these freewheels is provided in Catalog 84 "Freewheels". Please contact us if you need assistance.

5. General instructions



Caution!

Reliable torque transmission between the freewheel is guaranteed only if the maximum permissible speed in driving operation of the freewheel is not exceeded.

Operation at speeds in excess of the speeds permitted for the different operating modes can result in damage and overheating of the freewheel!



Caution!

The maximum permissible freewheel torque must not be exceeded due to torque peaks in specific applications.

The maximum freewheel torque should be calculated according to Catalog 84. Please contact us if you need assistance.

Freewheel damage resulting by excessive torque peaks impair component function and can result in excessive overheating of the freewheel!



Danger to life and limb!

When freewheels are used as backstops, it is essential to ensure that they can be released only when the machine or system is standing still and load-free.

Release of the freewheel under load conditions results in uncontrolled reverse movement of the system.



Caution!

If the system is exposed to axial and/or radial loads, the roller bearings in the freewheel should be checked with reference to the rules for calculation provided by the bearing manufacturer. It is essential to ensure that bearings will not be damaged.

Bearing damage can result in overheating and the impairment of freewheel function!

**Caution!**

Torsion vibrations (amplitudes and frequencies which result in engagement and release of the freewheel in rapid succession) must be avoided.

Torsion vibrations can result in overheating and the impairment of freewheel function!

**Caution!**

Seals must be correctly installed during the entire service life of the freewheel. In case of occurring leakages are the seals to renew in time.

Seal damage can result in overheating and the impairment of freewheel function!

**Caution!**

Operation of freewheels with centrifugal sprag lift-off below the lift-off speed results in sprag wear. Occasional start and stop operations during operation below lift-off speed for periods of less than 20 second are permitted.

Excessive sprag wear can result in overheating and the impairment of freewheel function!

6. Condition at delivery

The freewheels are delivered oil-filled and ready for installation. They are packed in anti-corrosion paper.

7. Technical requirements for safe operation

The bore in the inner ring normally has a tolerance of ISO H7. The tolerance of the shaft must be in this case ISO h6 or j6.

The key must have back play and may have only minimal width oversize, as otherwise the inner ring may be deformed.

The tolerance for the pilot diameter of the attachment part must be ISO H7 or J7.

8. Installation

The direction of machine or system rotation must be determined prior to freewheel installation. Mark this direction with an arrow on the shaft to which the inner ring of the freewheel is to be mounted.

Ensure that the freewheeling direction of the freewheel matches the direction marked on the shaft.

**Caution!**

Bei Anwendung des Freilaufs als Rücklaufsperrung darf der Antrieb nicht entgegen der Freilaufdrehrichtung gestartet werden, da sonst der Freilauf zerstört werden könnte!

Apply only uniformly distributed pressure (without heating) to the front face of the inner ring when mounting the freewheel to the shaft.

If the freewheel is mounted with its outer ring on the centering device of the customer, this operation must be performed by applying uniform pressure to the front face of the outer ring around the entire circumference.

**Caution!**

The freewheel may not be driven onto the shaft by applying hammer blows, as the built-in roller bearings may be damaged in the process!

Secure the axial position of the freewheel ring on the shaft.

For the fastening screws a material quality of 8.8 is sufficient. Tightening torques are to be selected in accordance with VDI 2230 on the basis of the existing friction values in a given case.

**Caution!**

Screws with material grade 12.9 should not be used because of their low breaking elongation.

9. Inspection prior to commissioning

The oil level must be checked prior to initial operation of the freewheel. (see Fig. [3]).

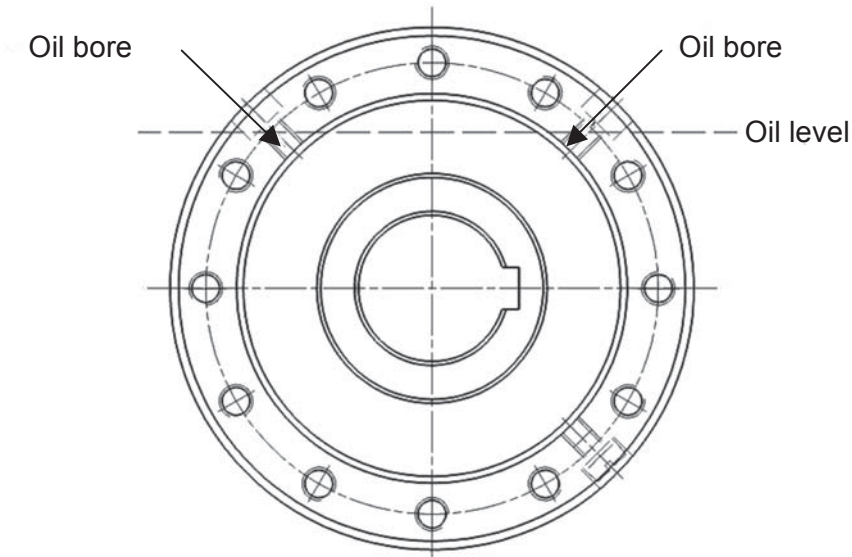


Fig [3]

Three oil bores on the circumference of the freewheel are provided for this purpose.

- Turn the outer ring of the freewheel until two of the oil bores point upward at 45° angle to the middle axis.
- Remove the screws from these two oil bores and take out the gaskets.
- Pour oil into one of the oil bores until it runs out of the opposite bore. See the oil selection table in Section 11 "Lubricants" for the appropriate grade of oil.
- Close the two oil bores with the gaskets and screws.
- Turn the freewheel-outer ring against to the freewheel-inner ring by hand in the freewheeling direction (freewheeling operation). If the freewheel turns roughly, apply a light hammer blow to the outer ring while turning the freewheel by hand in the freewheeling direction.



Caution!

A certain degree of friction is caused by the seals. This is reduced after a short operating time.

10. Maintenance



Caution!

The first oil change must be performed after 20 hours of operation!

During the first oil change, all particles accumulated during the “running in” procedure should be removed from the freewheel. That is why this oil change is required to ensure the service life of the freewheel.

Subsequent oil changes must be performed after every 2,000 operating hours, at a minimum.



Information!

For a longer interval of oil change, we recommend using the synthetic lubricant MOBIL SHC 626..

If this lubricant is used, it must be changed after every 4,000 operating hours.

When the speed difference between the inner and outer ring will be less than 100 min^{-1} longer oil change intervals are allowed after consultation.

Oil change procedure:

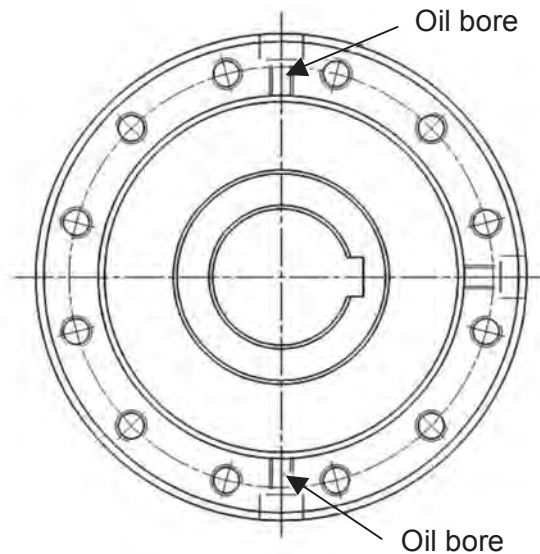


Fig. [4]

- Turn the freewheel until the two of the three oil bores are positioned one above the other (see Fig. [4]).
- Remove the screws and gaskets from all three oil bores.
- Collect and dispose of the old oil in accordance with applicable regulations.
- Clean the freewheel with cleaning oil and dispose of the cleaning oil in accordance with applicable regulations.
- Close the lower oil bore with a gasket and screw..
- Turn the outer ring of the freewheel until the two open bores point upward at 45° angle to the middle axis (see Fig. [3]).
- Pour oil into one of the oil bores until its runs out of the opposite bore. See the oil selection table in Section 11 "Lubricants" for the appropriate grade of oil.
- Close the two oil bores with the gaskets and screws.



Caution!

If seal problems occur (leakage) during operation, the machine or system must be shut down immediately. Determine the cause of the leak and replace the freewheel if necessary!

11. Lubricants

The freewheels are delivered oil-filled. Please follow the instructions in Section 9 before commissioning. We recommend the following grades of oil for lubrication or oil changes:

Oil table			
Ambient temperature	For ambient temperatures from 0° to 50° C	For ambient temperatures from - 15° to + 15° C	For ambient temperatures from - 40° to 0° C
Kinematische Viskosität bei 40° C, ISO-VG	46/68 [mm²/s]	32 [mm²/s]	10 [mm²/s]
AGIP	OSO 46/68	OSO 32	OSO 10
ARAL	VITAM GF 46/68	VITAM GF 32	VITAM GF 10
BP	ENERGOL HLP 46/68	ENERGOL HLP 32	AERO HYDRAULIC 1
CASTROL	VARIO HDX	VARIO HDX	ALPHASYNTH 15
CHEVRON	EP HYDRAULIC OIL 46/68	EP HYDRAULIC OIL 32	HYJET IV
DEA	ASTRON HLP 46	ASTRON HLP 32	ASTRON HLP 10
ELF	ELFOLNA 46	ELFOLNA 32	ELF AVIATION HYDRAULIC OIL 20
ESSO	NUTO H 46/68	NUTO H 32	UNIVIS J 13
KLÜBER	LAMORA HLP 46/68	LAMORA HLP 32	Klüberoil 4 UH1-15
MOBIL	D.T.E. 25/26	D.T.E. 24	AERO HF A
SHELL	TELLUS OIL 46/68	TELLUS OIL 32	TELLUS OIL 10
Other manufacturers	Gearbox- or hydraulic oils without solid lubricants ISO-VG 46/68	Gearbox- or hydraulic oils without solid lubricants ISO-VG 32; Automatic transmission fluids [ATF]	Gearbox- or hydraulic oils without solid lubricants ISO-VG 10; Note setting point! Aviation hydraulic oils ISO-VG 10

Please contact us if temperatures exceed + 50° C or fall below - 40° C.



Caution!

Oils that contain friction-reducing additives like molybdenum disulfide or the like, may only be used with our authorisation.